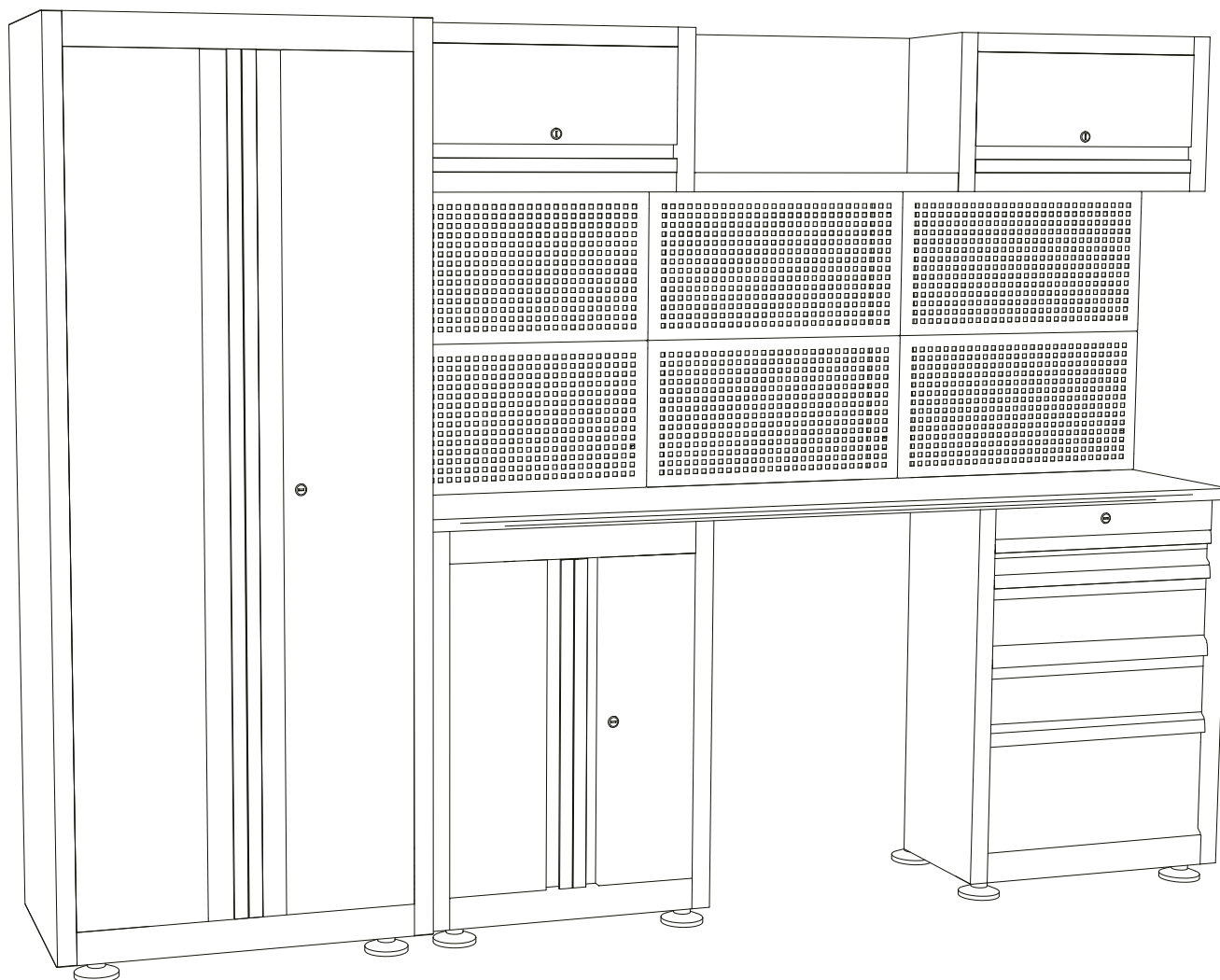
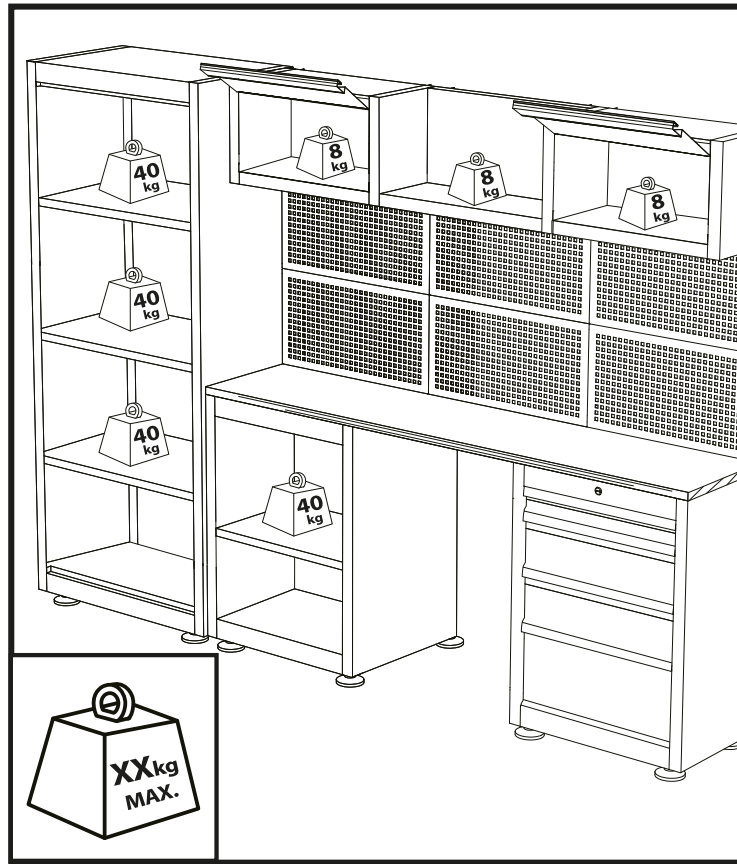
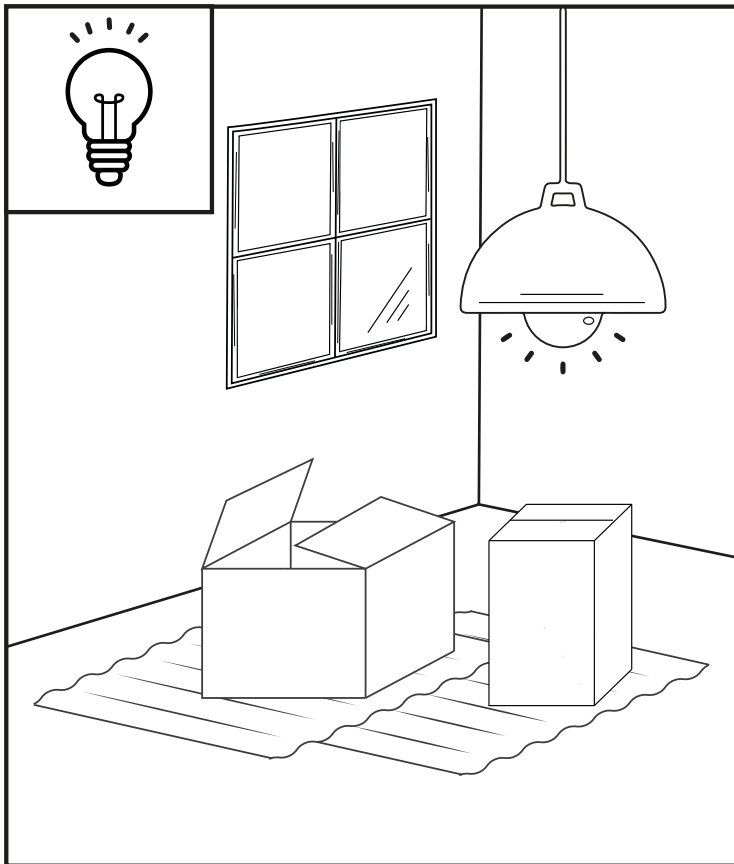


# INSTALLATION

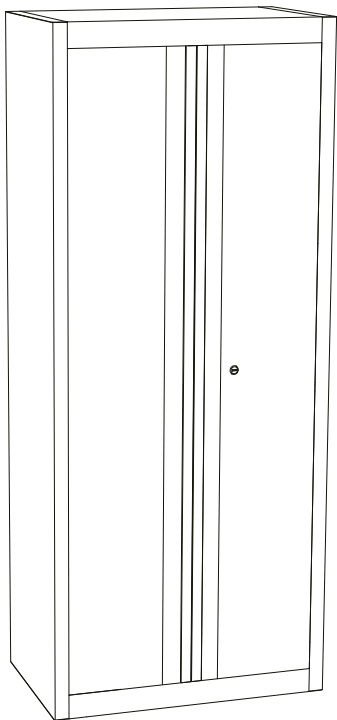
## Guidelines

1. Two people are required to finish the assembly.
2. Thoroughly read all instructions before starting assembly.
3. Read, understand and heed all warnings and safety instructions.
4. Plan to assemble the cabinet in the area where it will be used.  
Once fully assembled, the cabinet is difficult to move.
5. Wear proper eye protection and other applicable safety equipments.

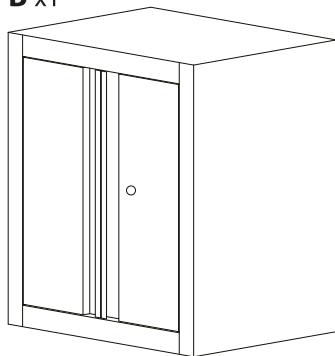




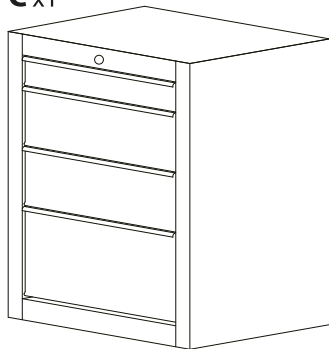
**A x1**



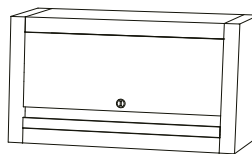
**B x1**



**C x1**

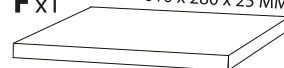


**D x2**



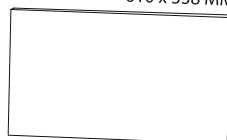
**F x1**

610 x 280 x 25 MM

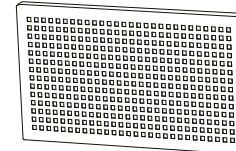


**E x1**

610 x 338 MM

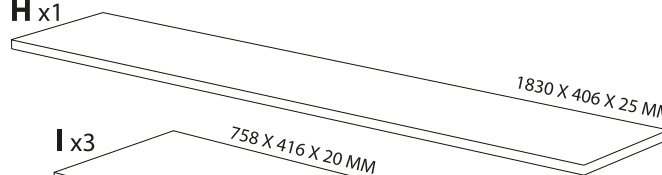


**G x6**



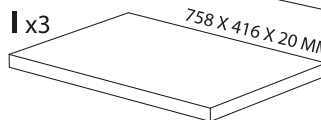
**H x1**

1830 X 406 X 25 MM



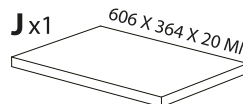
**I x3**

758 X 416 X 20 MM



**J x1**

606 X 364 X 20 MM



**K x2**



**L x2**



**N x2**



M5

**O x8**



M4 x 20 mm

**P x2**



M4 x 30 mm

**Q x23**

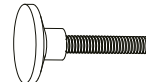


M5 x 12 mm

**R x2**



**M x12**



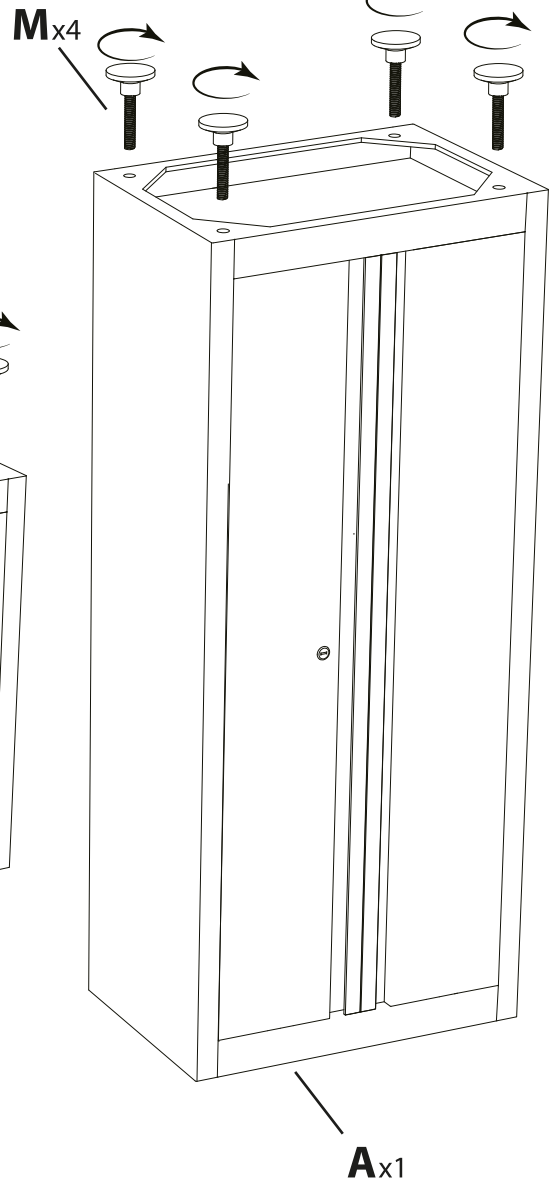
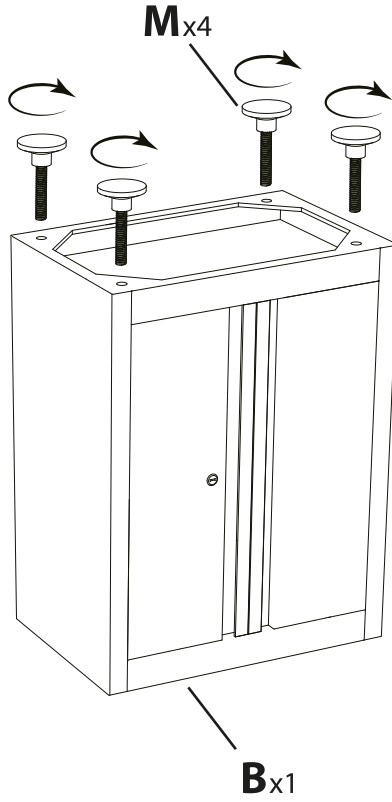
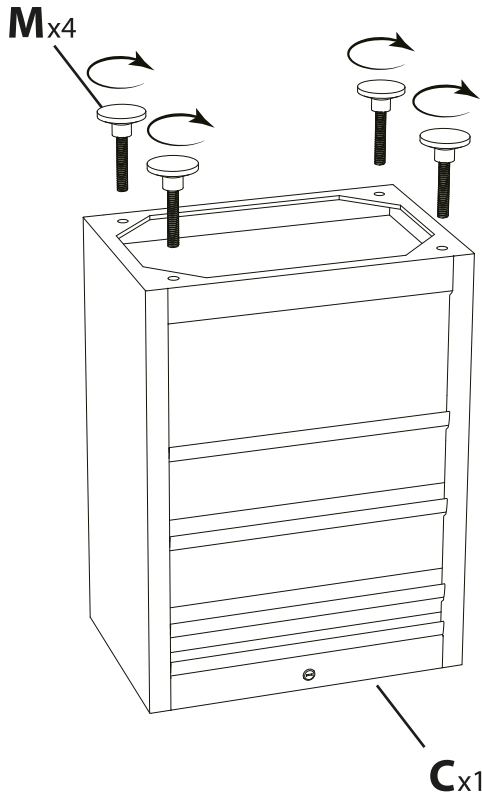
**S x16**

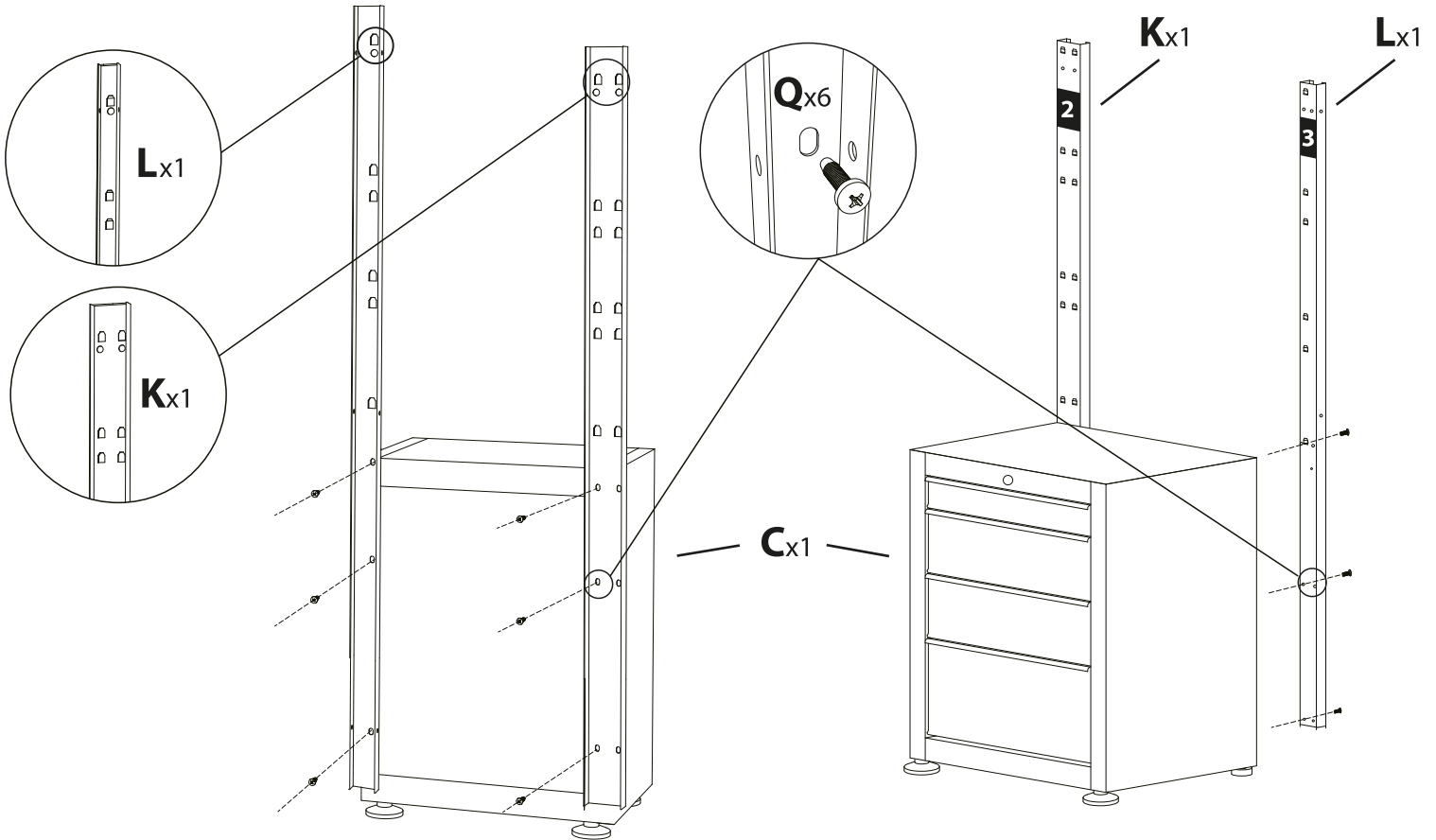


**T x2**



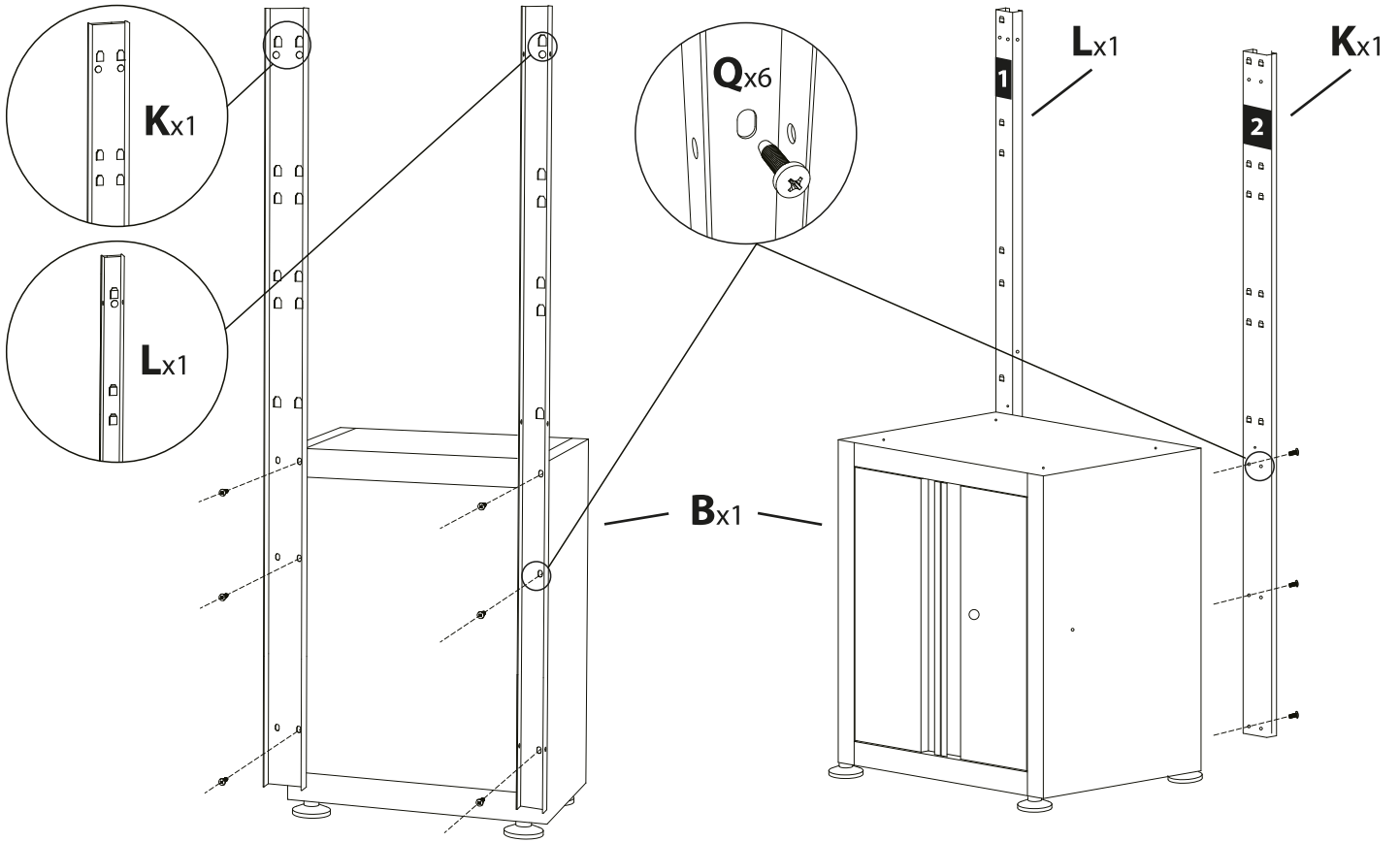
**1****A<sub>x1</sub> - B<sub>x1</sub> - C<sub>x1</sub> - M<sub>x12</sub>**

  
17 & 18 mm
**2****C<sub>x1</sub> - K<sub>x1</sub> - L<sub>x1</sub> - Q<sub>x6</sub>**

  
PH+


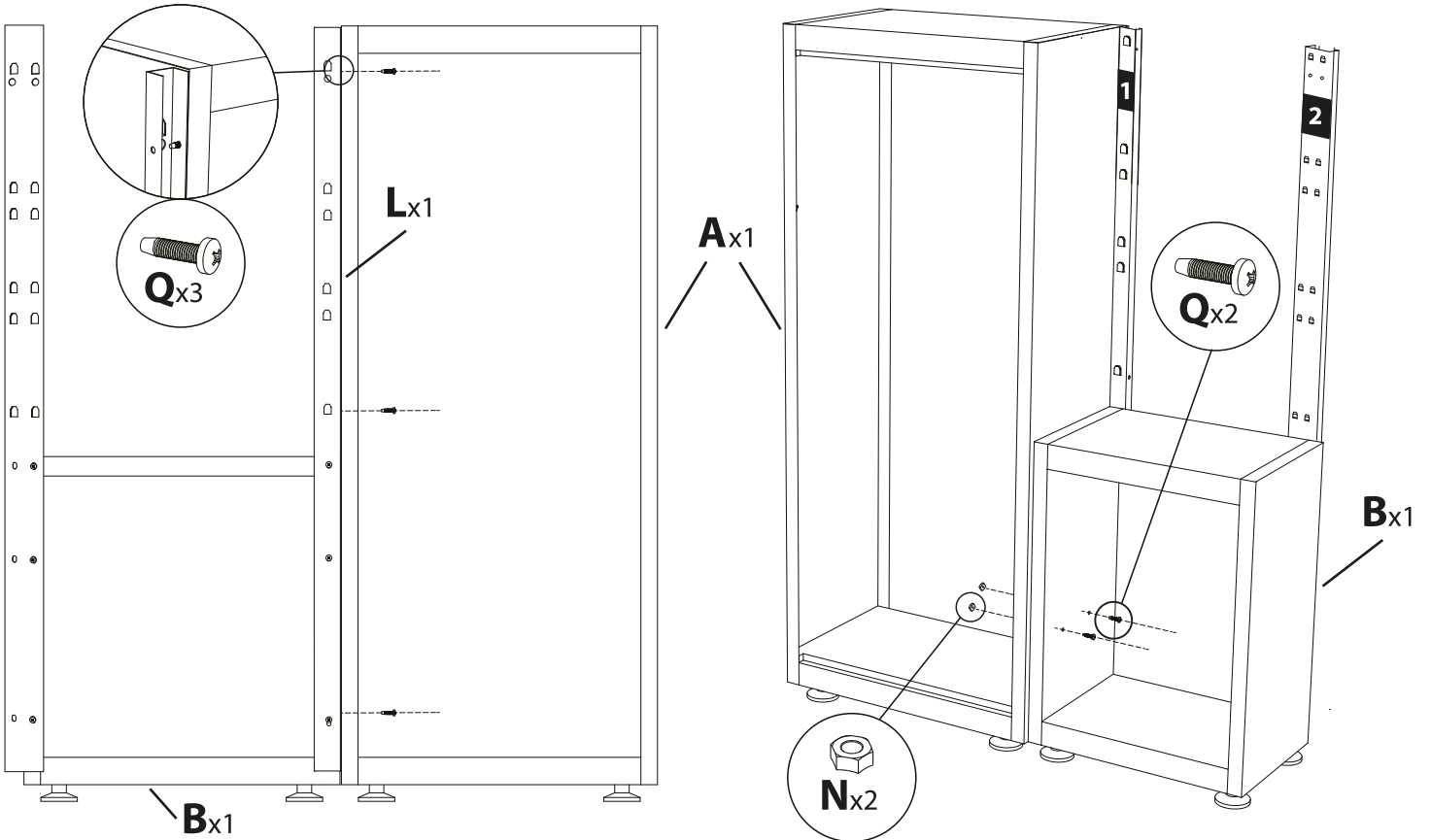
**3**

**Bx1 - Kx1 - Lx1 - Qx6**




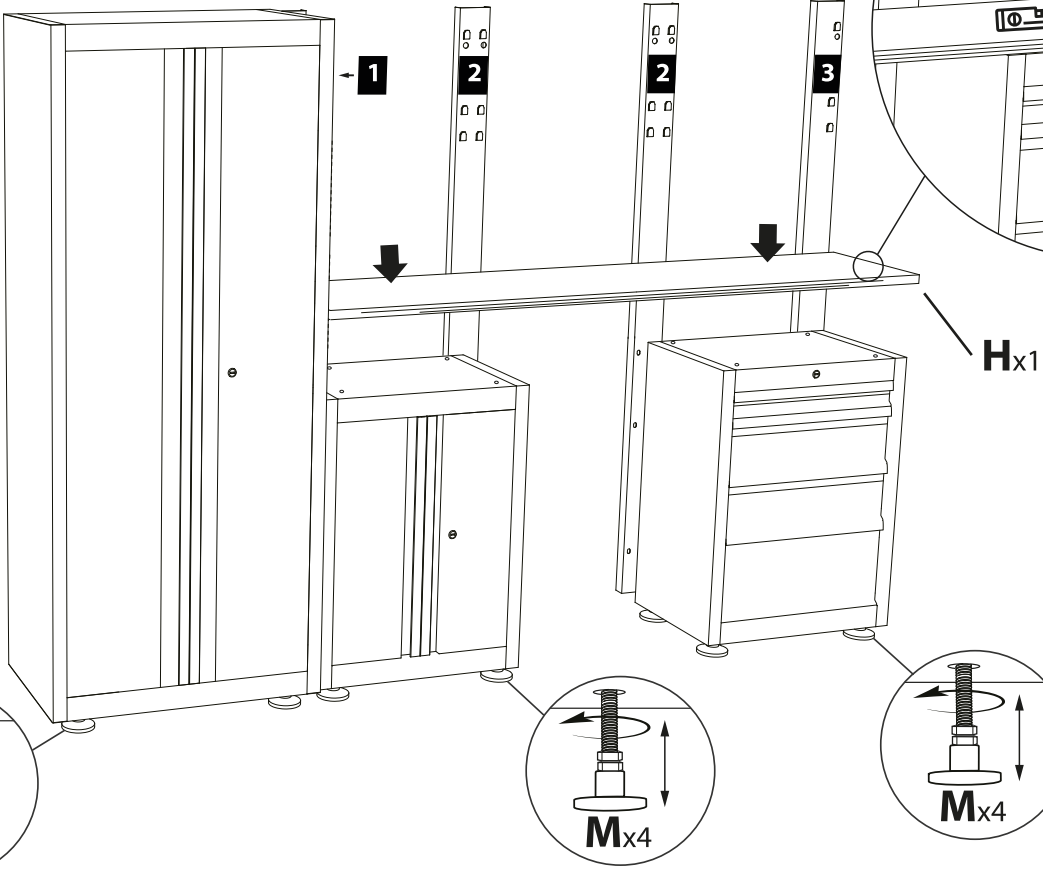
**4**

**Qx5 - Nx2**

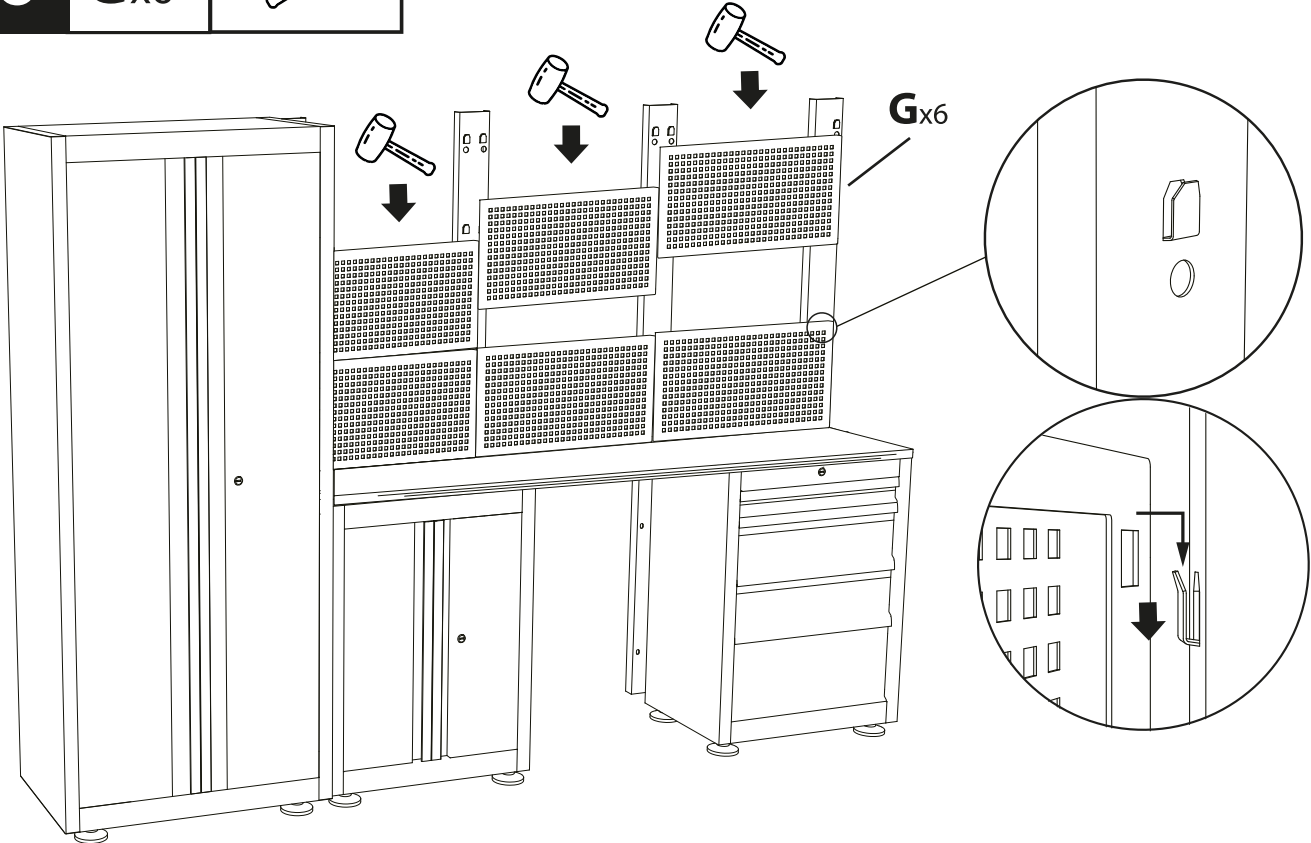




**5** **Hx1** 



**6** **Gx6** 

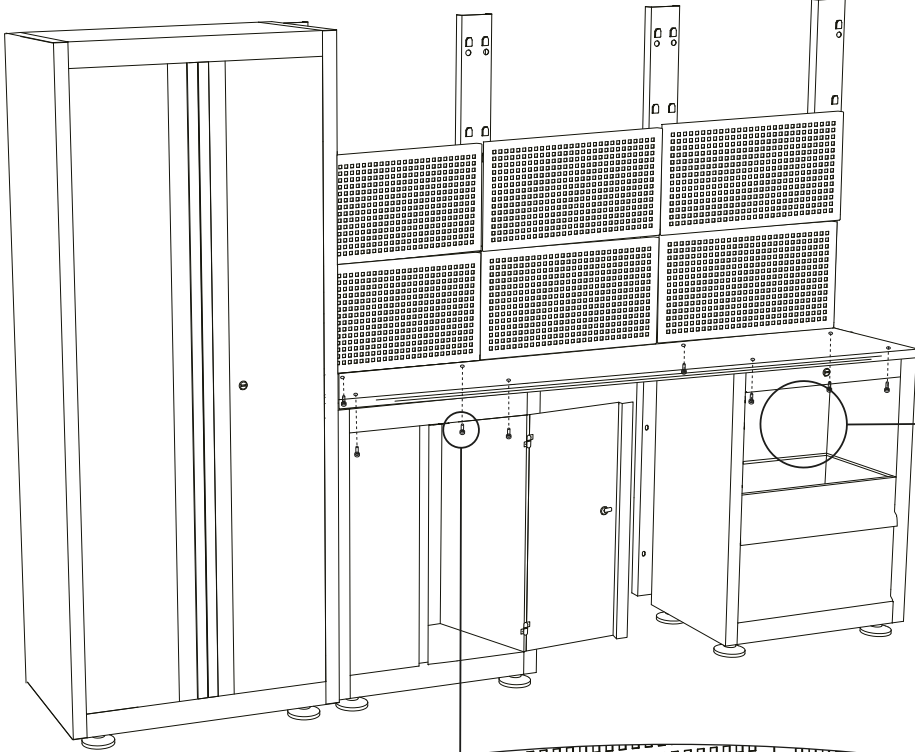
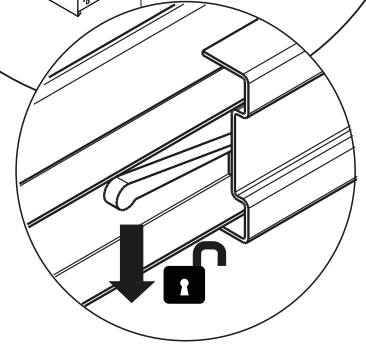
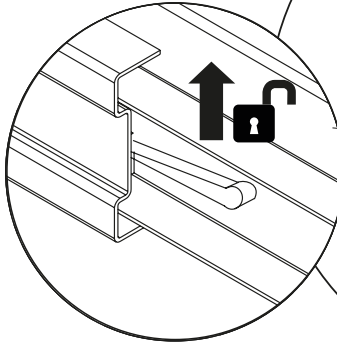
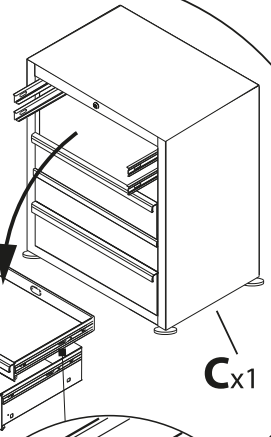


7

Cx1 - Hx1 - O<sub>x</sub>8

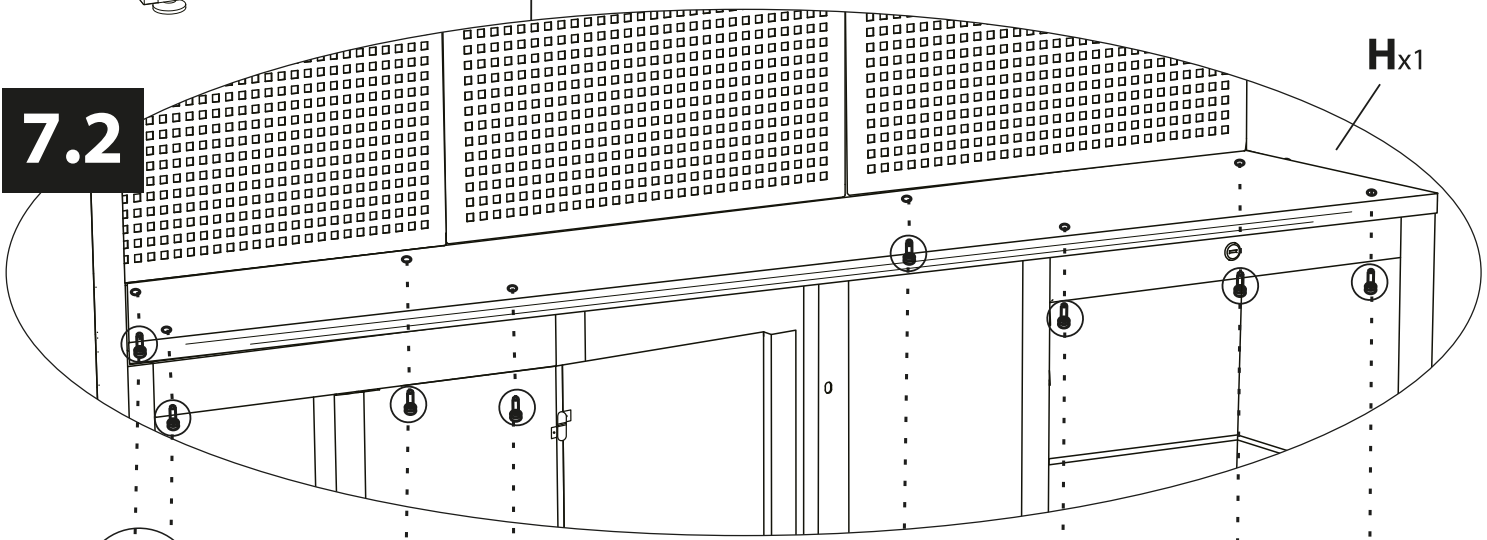


7.1



7.2

Hx1



O<sub>x</sub>1



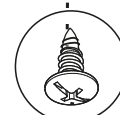
O<sub>x</sub>1



O<sub>x</sub>1



O<sub>x</sub>1



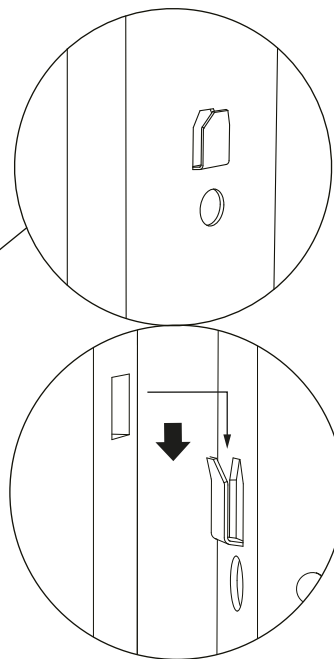
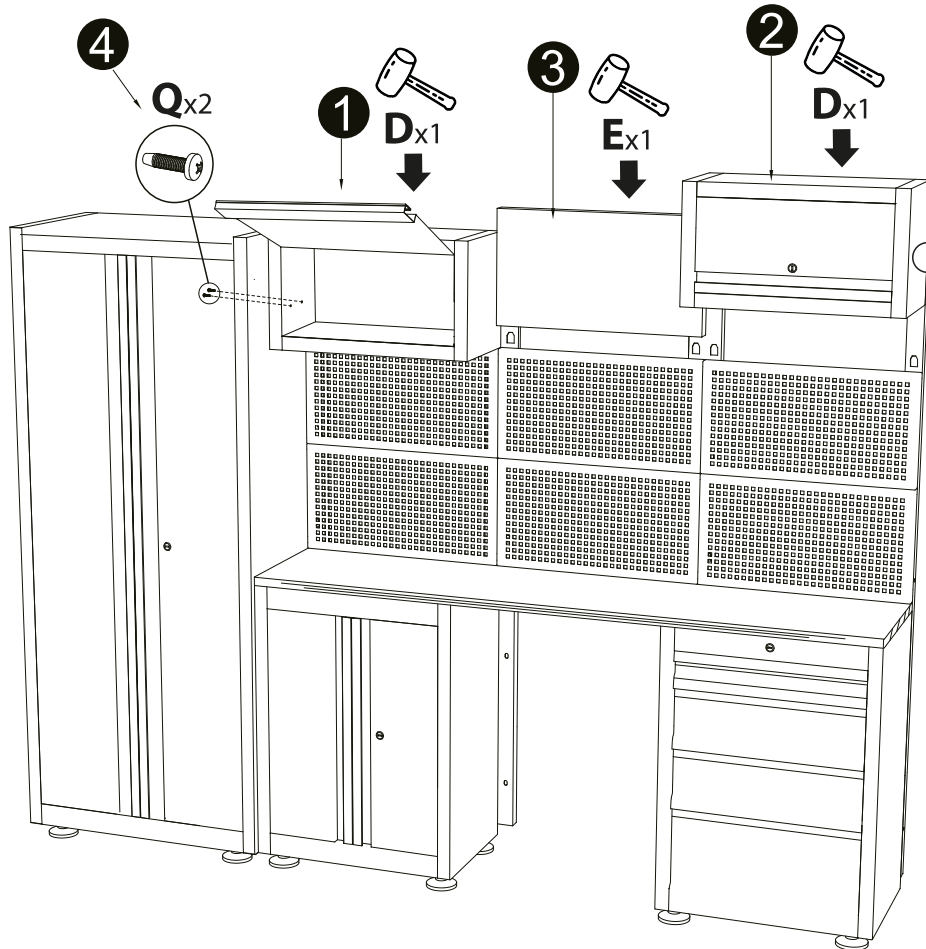
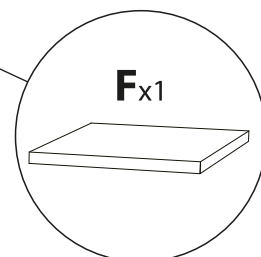
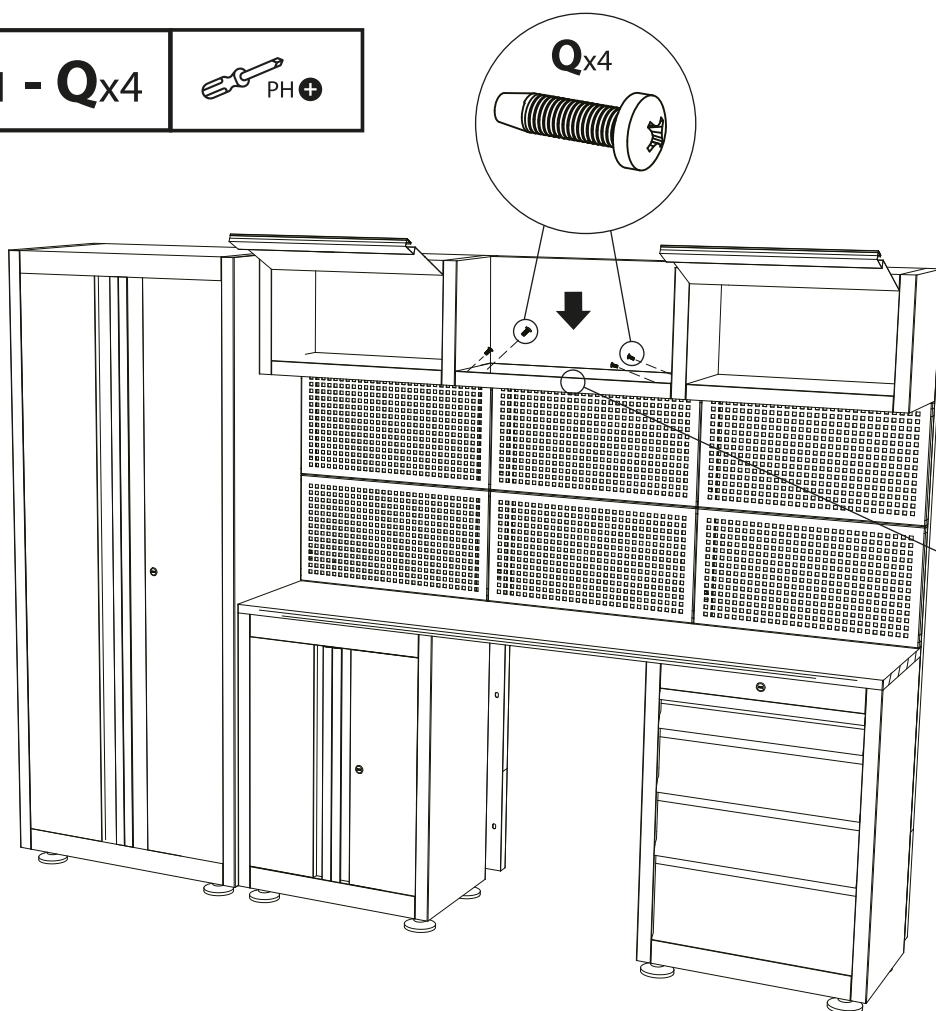
O<sub>x</sub>1



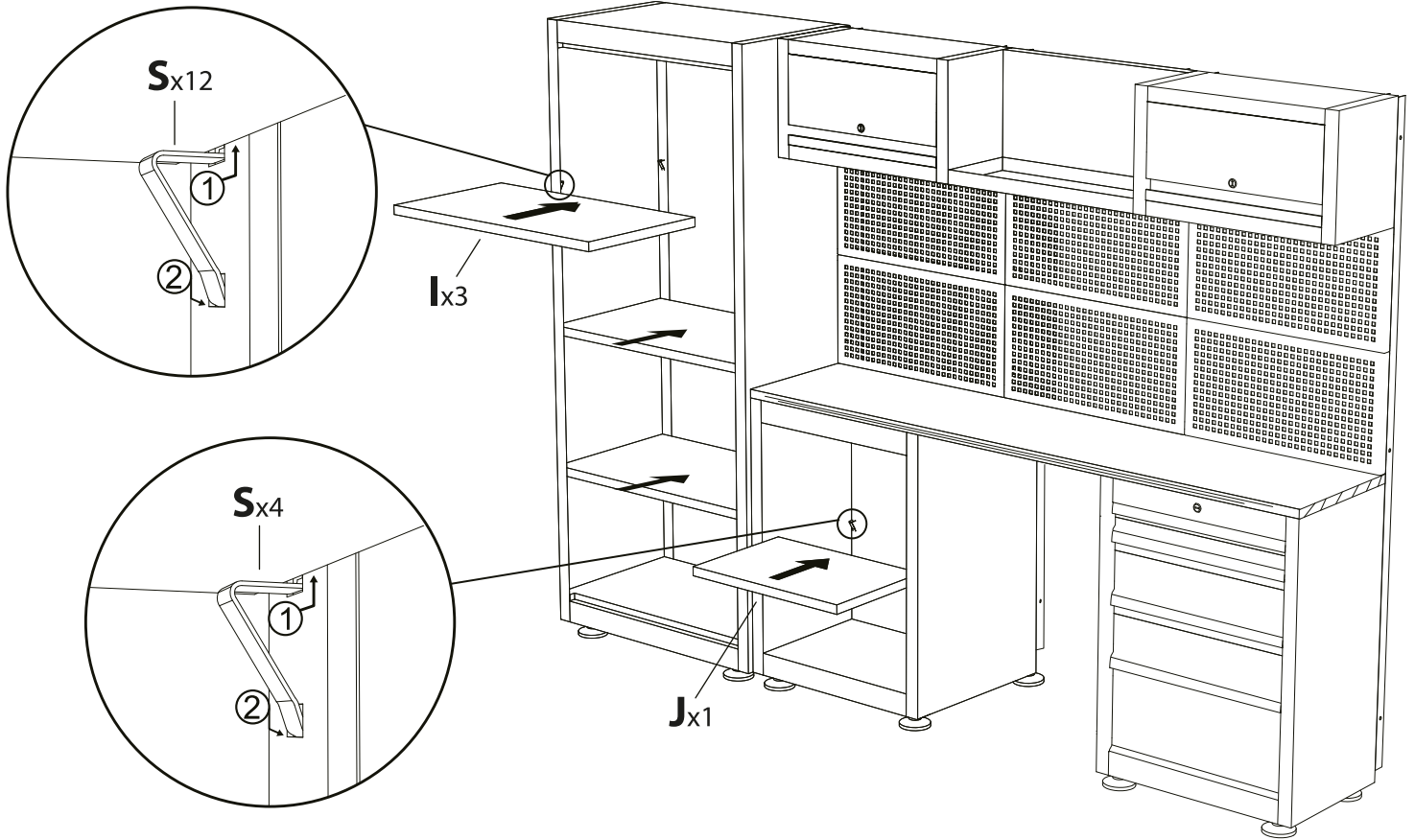
O<sub>x</sub>1



O<sub>x</sub>1

**8****D<sub>x2</sub> - E<sub>x1</sub> - Q<sub>x2</sub>****9****F<sub>x1</sub> - Q<sub>x4</sub>**

# 10 Ix3 - Jx1 - Sx16



# 11 Tx2 - Rx2 - Px2

